



US00D718431S

(12) **United States Design Patent**  
**Young et al.**

(10) **Patent No.:** **US D718,431 S**

(45) **Date of Patent:** **\*\* Nov. 25, 2014**

(54) **LIQUID DIFFUSER**

D482,109 S \* 11/2003 Woods ..... D23/364  
D482,110 S \* 11/2003 Laferriere et al. .... D23/364  
D492,018 S \* 6/2004 Schroder ..... D23/364

(71) Applicant: **Young Living Essential Oils, LC**, Lehi,  
UT (US)

(Continued)

(72) Inventors: **D. Gary Young**, Alpine, UT (US);  
**James T. Davis, II**, Springville, UT  
(US); **Son Q. Le**, Orem, UT (US)

FOREIGN PATENT DOCUMENTS

EP 1829560 9/2007

(73) Assignee: **Young Living Essential Oils, LC**, Lehi,  
UT (US)

OTHER PUBLICATIONS

“Carburetor”, Wikipedia, downloaded Dec. 20, 2013, pp. 13, <http://en.wikipedia.org/wiki/carburetor>.

(\*\*) Term: **14 Years**

*Primary Examiner* — Sandra Snapp

(21) Appl. No.: **29/478,588**

(74) *Attorney, Agent, or Firm* — Kunzler Law Group, PC

(22) Filed: **Jan. 7, 2014**

(57) **CLAIM**

(51) **LOC (10) Cl.** ..... **28-99**

The ornamental design for a liquid diffuser, as shown and described.

(52) **U.S. Cl.**

USPC ..... **D23/366**

**DESCRIPTION**

(58) **Field of Classification Search**

USPC ..... D23/355-369; D28/5, 6; 261/DIG. 17,  
261/DIG. 42, DIG. 65, DIG. 88, DIG. 89;  
392/386, 390, 394, 395; 239/34, 44,  
239/53, 55, 56, 326; D26/14, 17, 98, 9, 22,  
D26/24; D11/131.1; D7/509, 522, 524, 537

FIG. 1 shows a top perspective view of a liquid diffuser.  
FIG. 2 shows an exploded perspective view of the liquid  
diffuser of FIG. 1.

See application file for complete search history.

FIG. 3 shows a front view of the liquid diffuser of FIG. 1.  
FIG. 4 shows a side view of the liquid diffuser of FIG. 1.  
FIG. 5 shows another side view of the liquid diffuser of FIG.  
1.

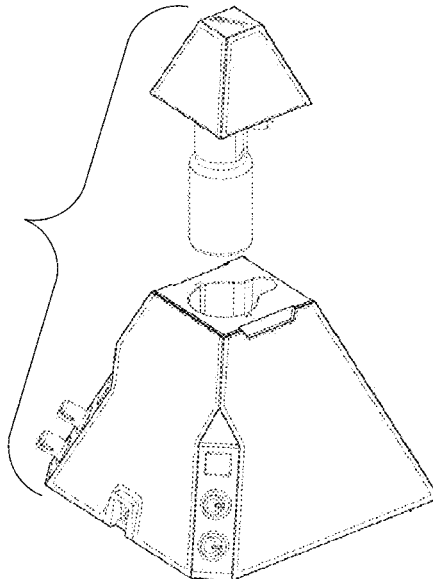
(56) **References Cited**

U.S. PATENT DOCUMENTS

D359,587 S \* 6/1995 Ross ..... D30/101  
D370,253 S \* 5/1996 Yuen ..... D23/355  
D373,528 S \* 9/1996 Ser Tuen Wei ..... D9/431  
D380,538 S \* 7/1997 Muller et al. .... D23/367  
D383,864 S \* 9/1997 Billings ..... D26/51  
D423,342 S \* 4/2000 Popesco ..... D9/636  
D432,224 S \* 10/2000 Hautmann et al. .... D23/366  
D458,359 S \* 6/2002 Blanchette ..... D23/366  
D475,444 S \* 6/2003 Laferriere et al. .... D23/364

FIG. 6 shows a back view of the liquid diffuser of FIG. 1.  
FIG. 7 shows a top view of the liquid diffuser of FIG. 1; and,  
FIG. 8 shows a bottom view of the liquid diffuser of FIG. 1.  
The shade lines in the Figures show contour and not surface  
ornamentation. The dash-dash type broken lines in the draw-  
ings are for the purpose of illustrating unclaimed portions of  
the liquid diffuser and form no part of the claimed design. The  
dot-dash-dot-dash type broken lines define the boundaries of  
the claimed design.

**1 Claim, 8 Drawing Sheets**



# US D718,431 S

Page 2

---

(56)

## References Cited

### U.S. PATENT DOCUMENTS

D515,683 S *	2/2006	LaBlaine .....	D23/366	7,878,418 B2	2/2011	Sevy	
D520,129 S	5/2006	Sevy		7,913,933 B2	3/2011	VanRoemburg	
D526,710 S	8/2006	Sevy		D645,947 S	9/2011	Sevy	
7,407,118 B2	8/2008	Sevy		D660,685 S *	5/2012	Bucci .....	D8/354
				D688,417 S *	8/2013	Liu .....	D27/162

\* cited by examiner

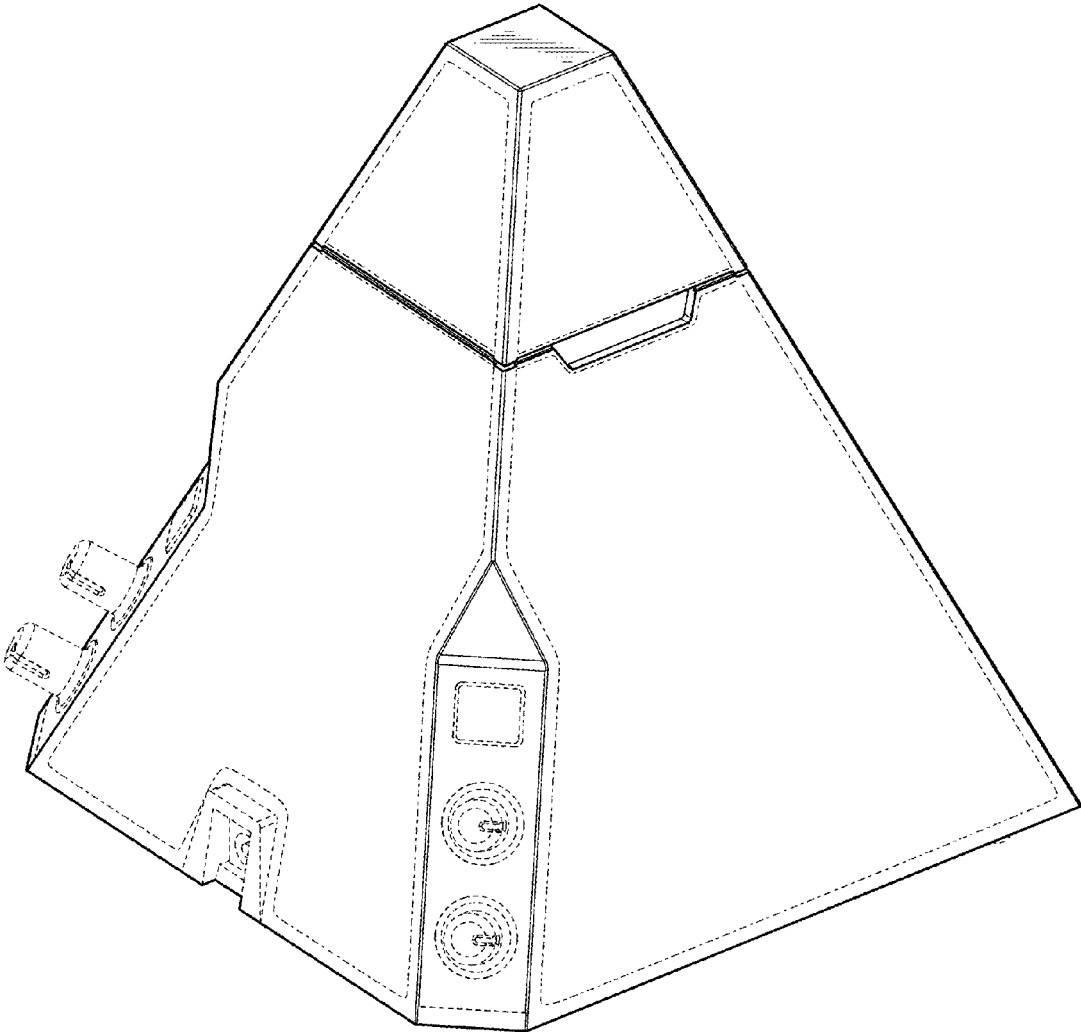


FIG. 1

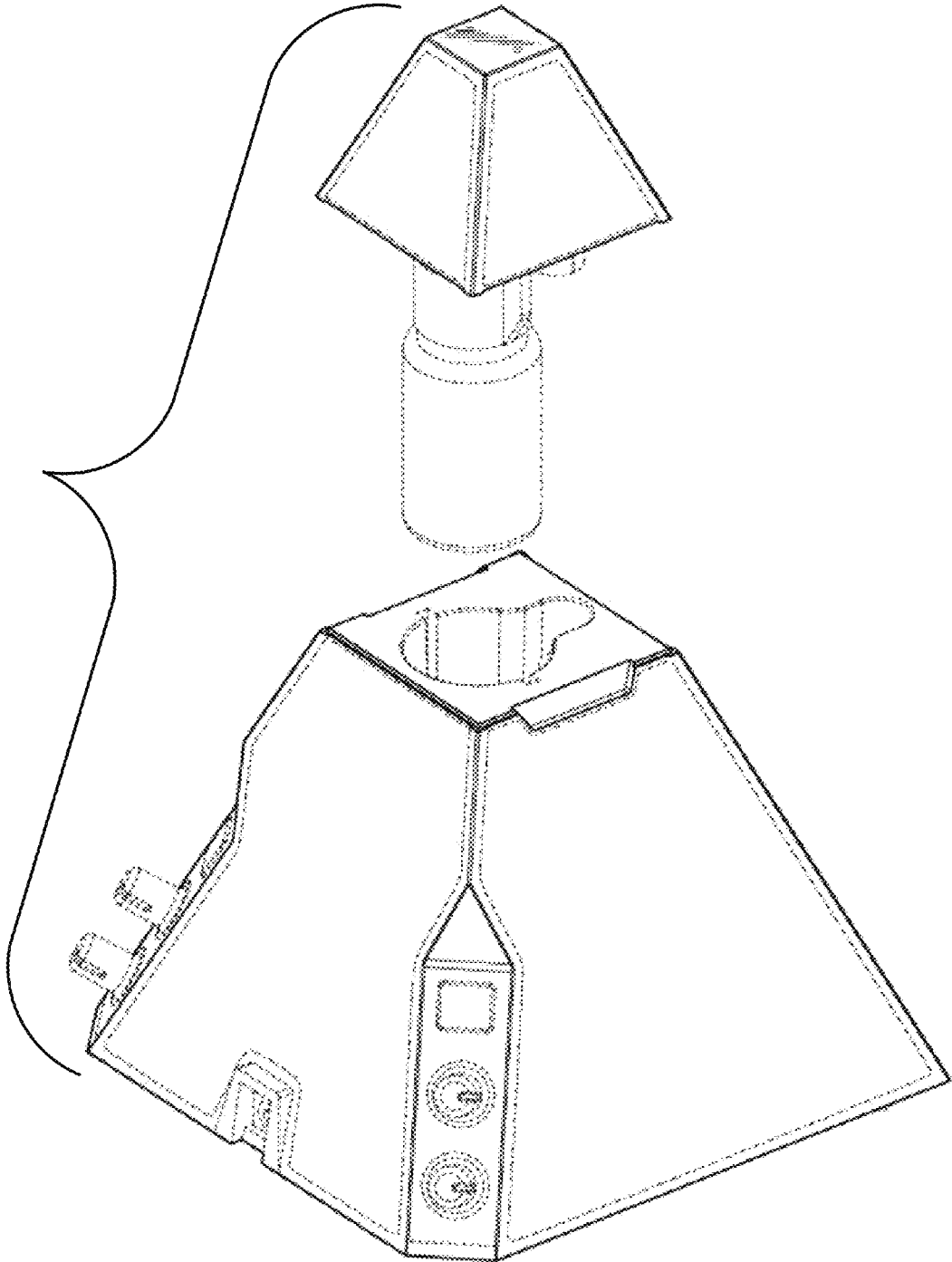


FIG. 2

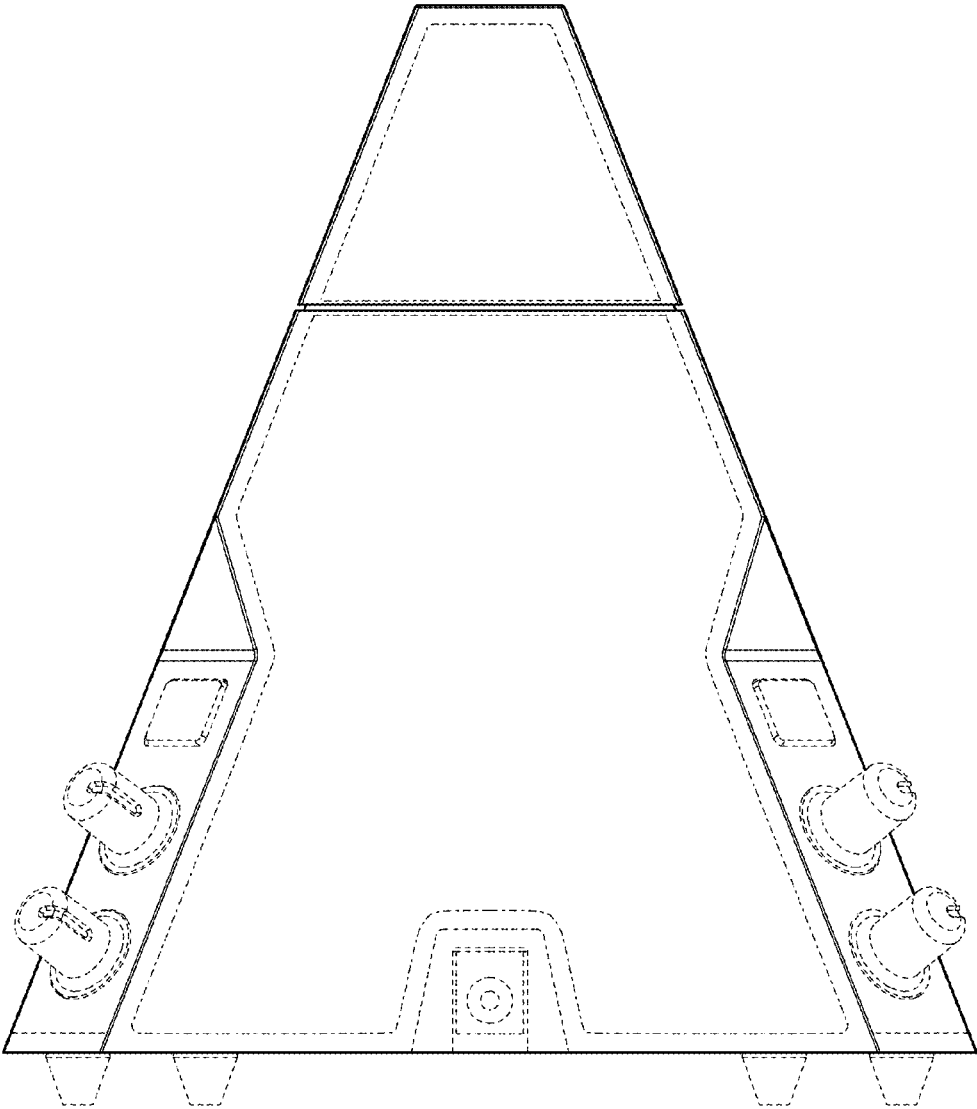


FIG. 3

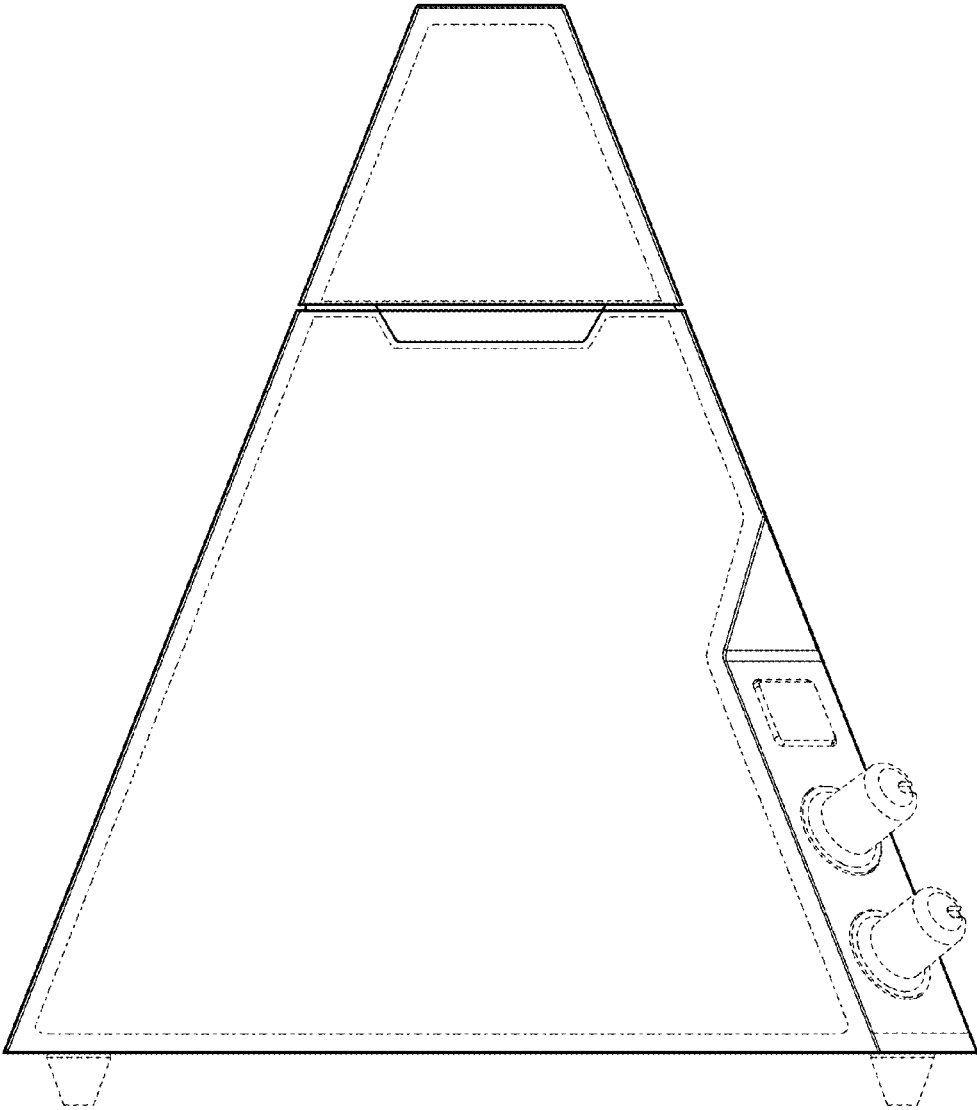


FIG. 4

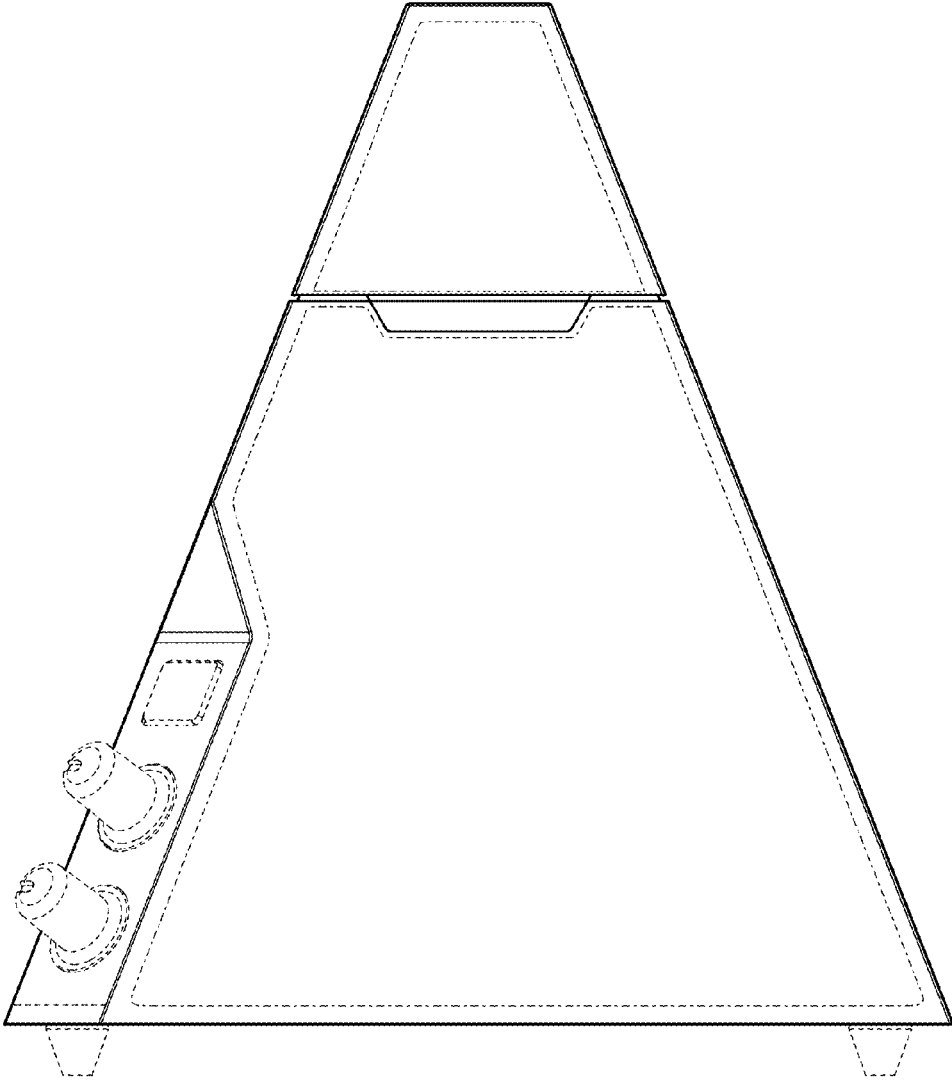


FIG. 5

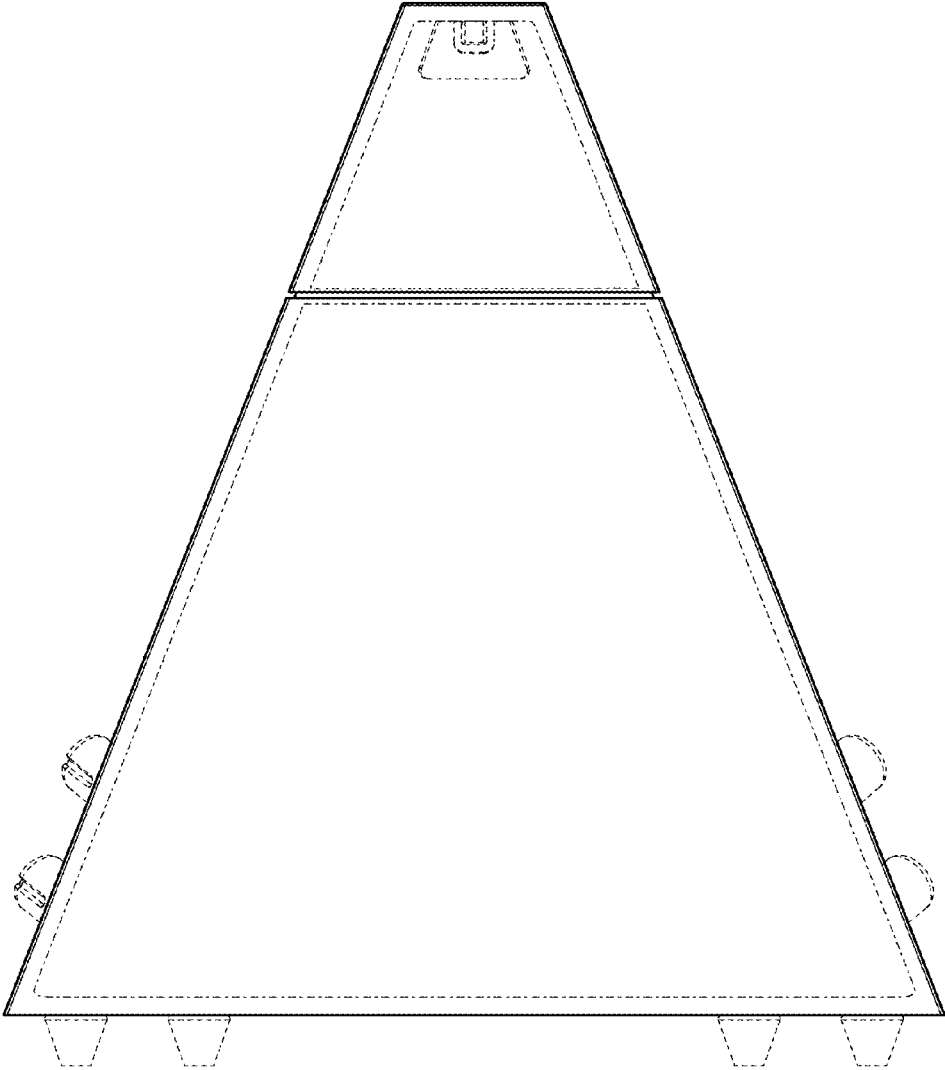


FIG. 6



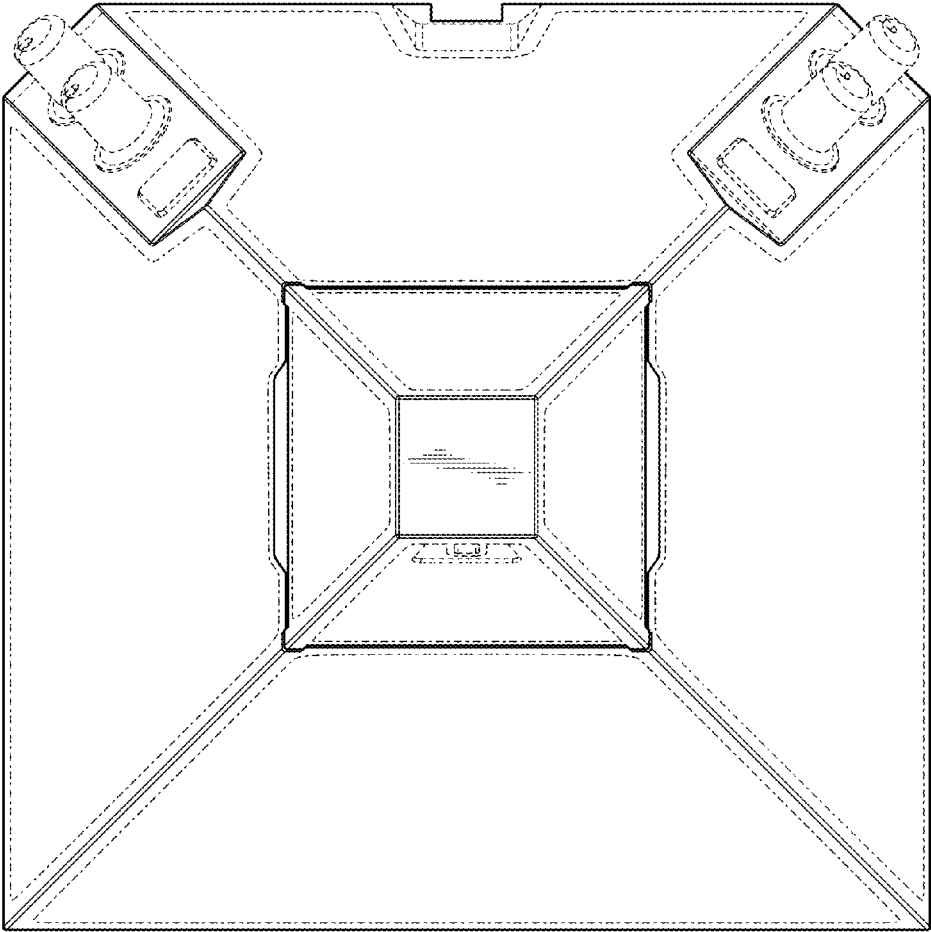


FIG. 7

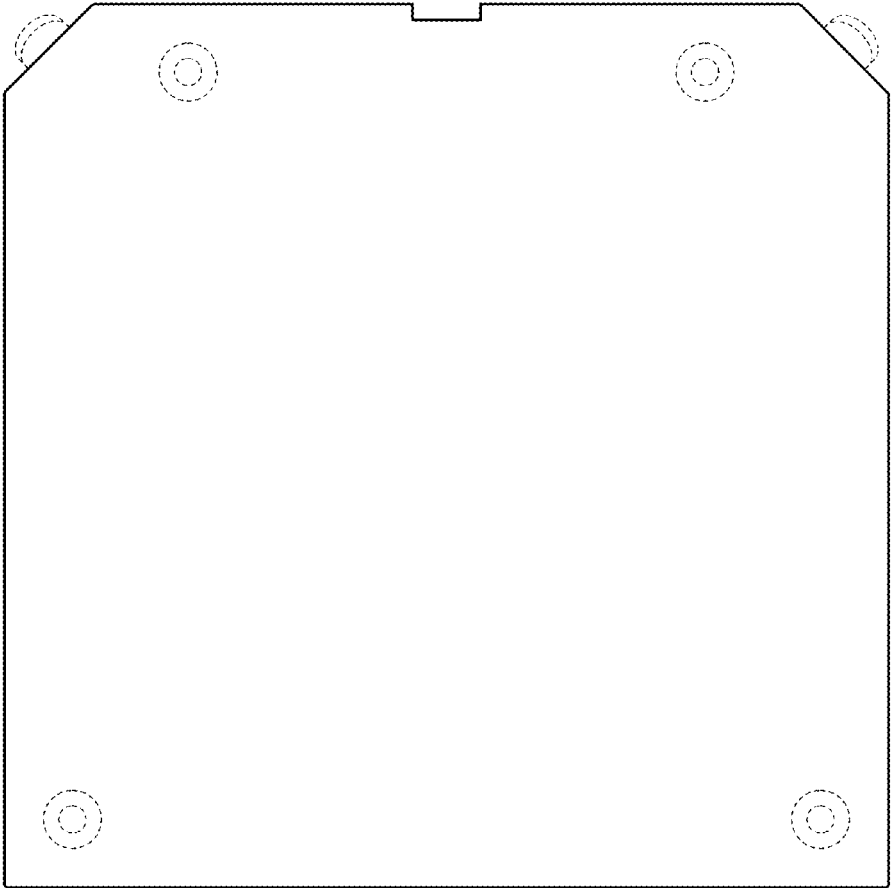


FIG. 8